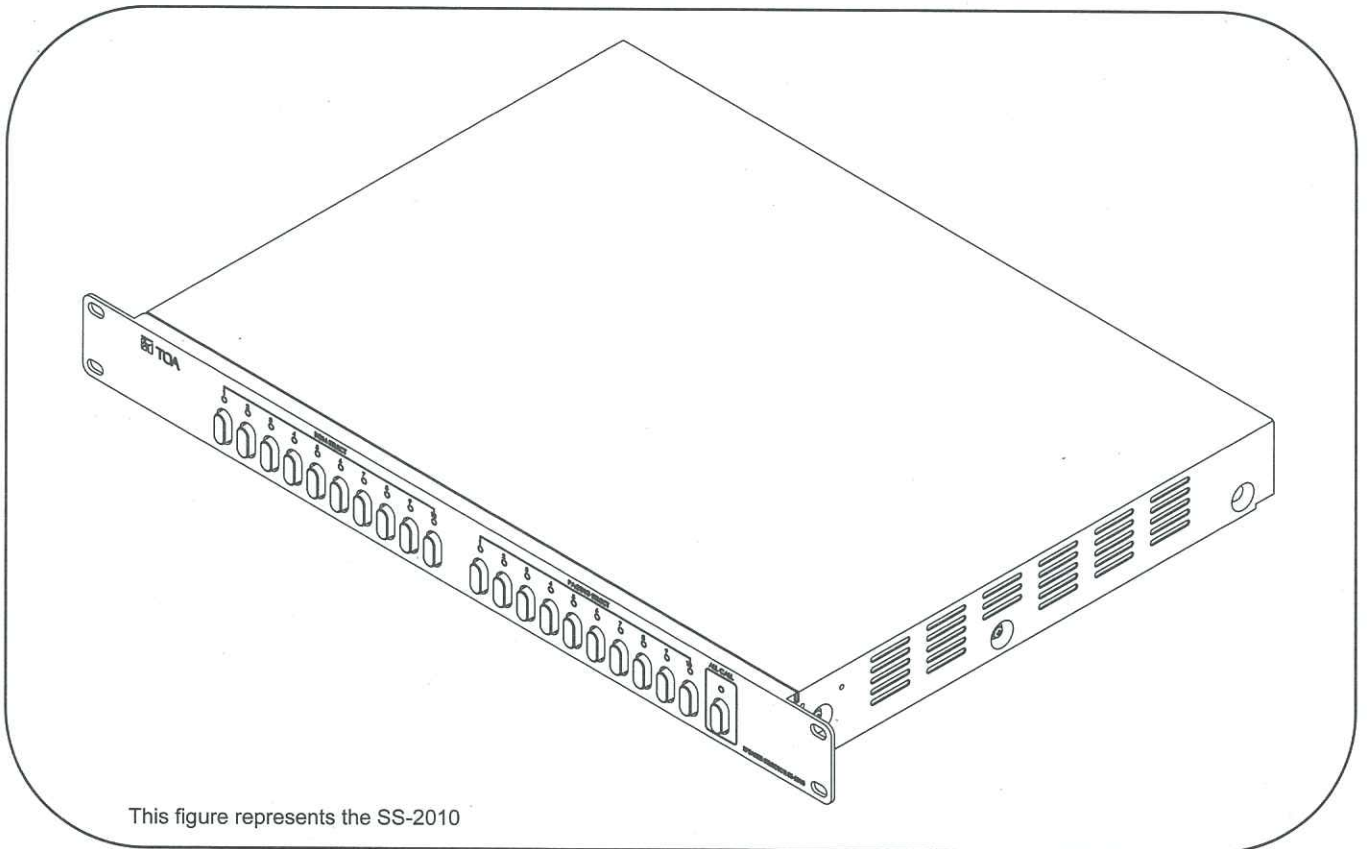


### SPEAKER SELECTORS

**SS-2010 AS**  
**SS-1010 AS**  
**SS-1010R AS**

Please follow the instructions in this manual to obtain optimum results from this unit.  
 We also recommend that you keep this manual handy for your future reference.



### TABLE OF CONTENTS

1. GENERAL DESCRIPTION.....	2
2. FEATURES.....	2
3. NOMENCLATURE AND FUNCTIONS .....	2
3.1. FRONT PANELS .....	2
3.2. REAR PANELS .....	2
4. BLOCK DIAGRAMS .....	3
5. DIMENSIONS .....	4
6. SPECIFICATIONS.....	4

# 1. GENERAL DESCRIPTION

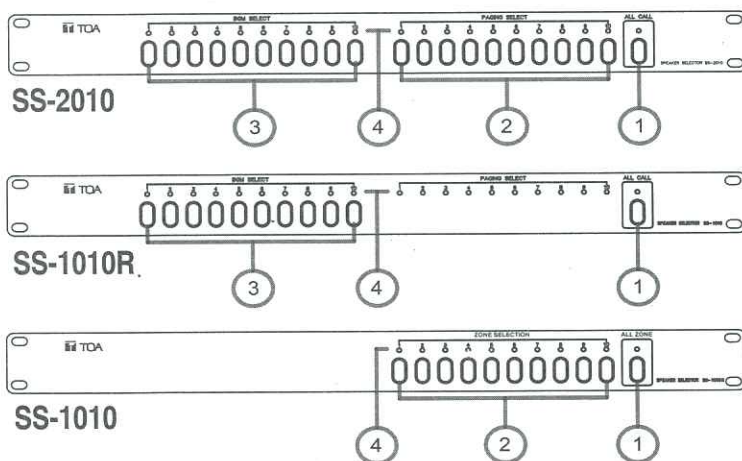
TOA speaker selectors SS-2010, SS-1010, SS-1010R are highly efficient speaker selectors that can be installed with public address system in schools, malls, offices and places requiring the selection of speakers.

## 2. FEATURES

- Durable, strong and highly efficient.
- 1U 19" rack size.
- The DC power consumption is small.
- SS-2010 has 10 selectors for paging, 10 selectors for background music (BGM) and a selector for all call.
- SS-1010R has 10 selectors for paging/BGM and a selector for all call. Can be linked to other units of the same model.
- SS-1010 has 10 zone selectors and a selector for all zones. External switch for emergency override which trigger the built-in relay when pressed.
- Remote control for 1 - 10 paging/zone select and for all call / all zone.
- Provides protection for DC input voltage if the voltage exceeds the determined specifications and reversed DC polarity installation protection.

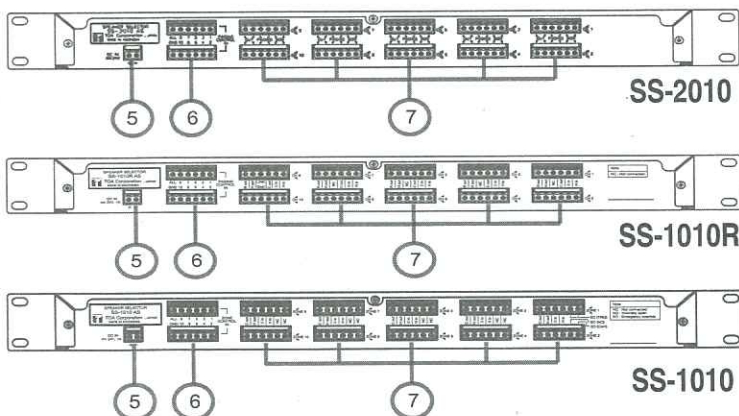
## 3. NOMENCLATURE AND FUNCTIONS

### 3.1. FRONT PANELS



- 1. ALL CALL / ALL ZONE**  
Selector switch for all call / all zone.
- 2. PAGING SELECT / ZONE SELECT**  
Selector switch to select paging/zone.
- 3. BGM SELECT**  
Selector switch to select background music zone
- 4. LED INDICATOR**  
Light green if each switch is on.
- 5. DC INPUT**  
Connect to DC voltage 24V.
- 6. CONTROL PAGING / ZONE IN**  
Connect to external control switch for 1-10 paging/zone selection and all call/zone.
- 7. INPUT / OUTPUT TERMINAL**  
Connect to amplifier/speaker.

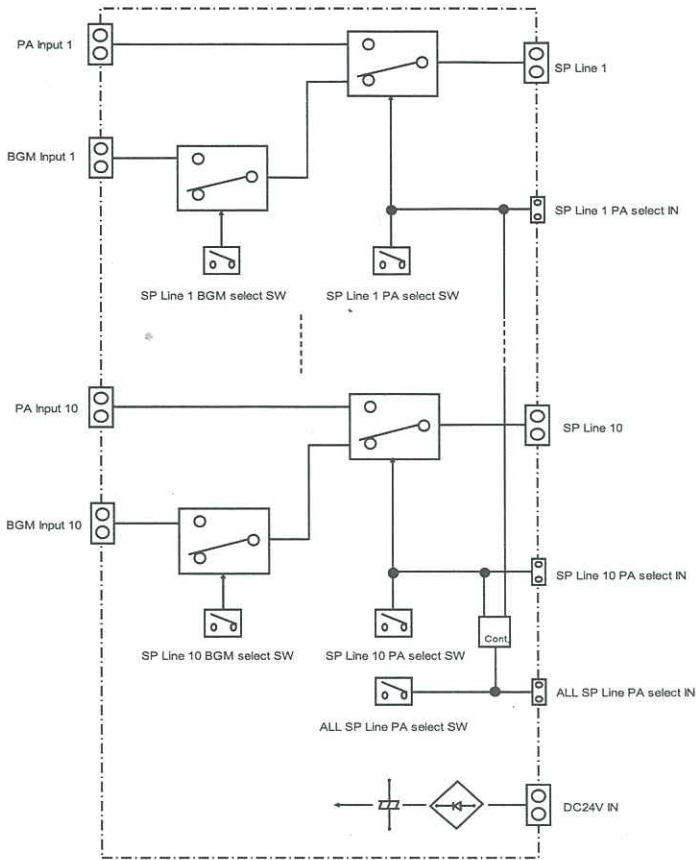
### 3.2. REAR PANELS



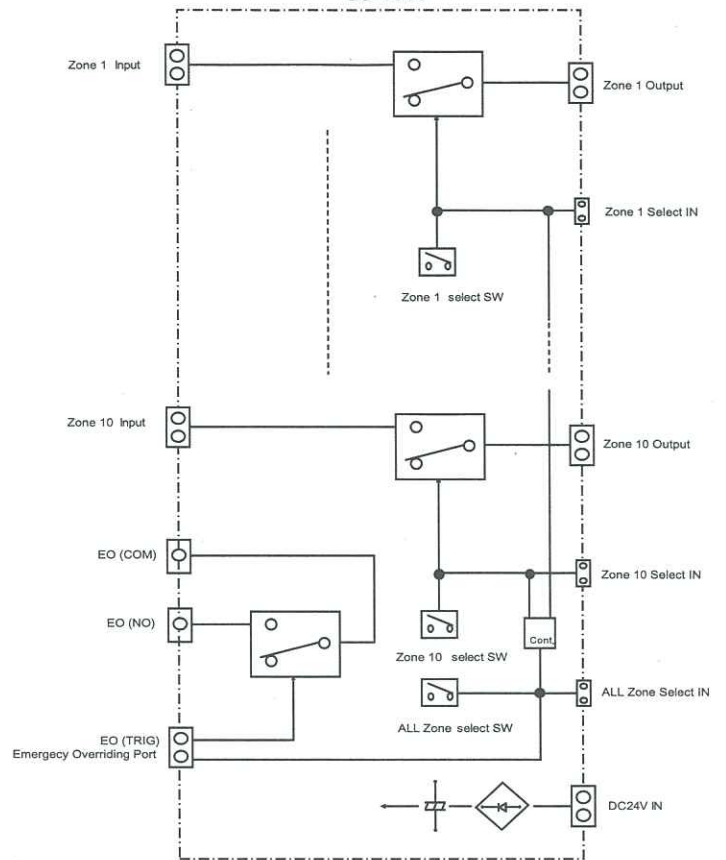
- **LINK (ONLY SS-1010R)**  
LINK (in CH9 connector)  
GND (in CH10 connector)  
Connect to other units of SS-1010R.
- **EMERGENCY OVERRIDE (ONLY SS-1010)**  
EO (Trig) in zone 1 connector  
Connect to emergency switch. Overriding is required when an emergency switch is pressed.  
EO (Com) - EO (NO) in zone 2 connector.  
Connect to external switch would enable the installer to apply several functions such as providing 24 V DC output, trigger external device, etc.

# 4. BLOCK DIAGRAMS

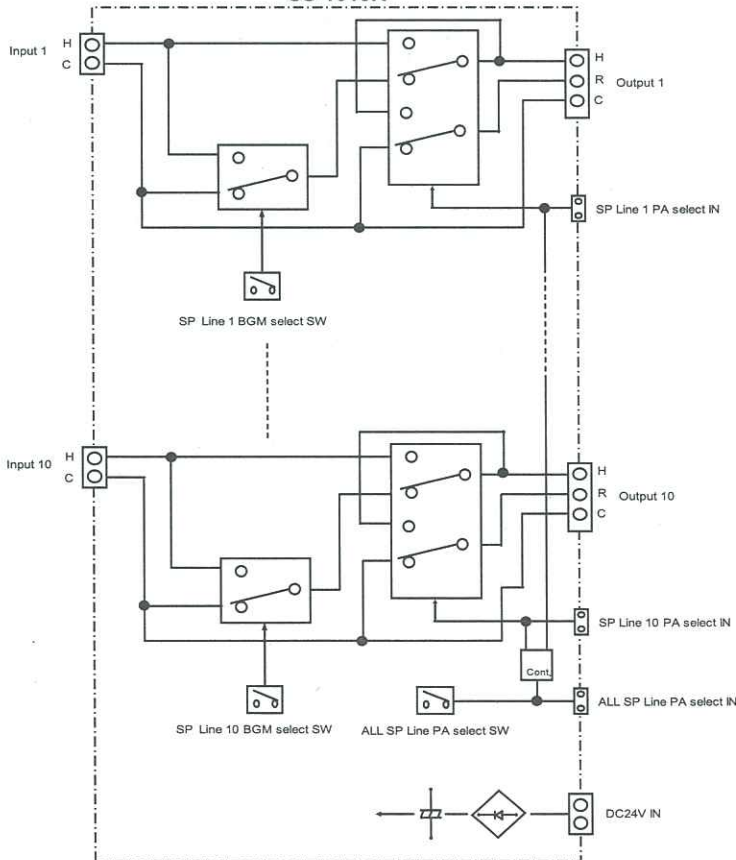
SS-2010



SS-1010

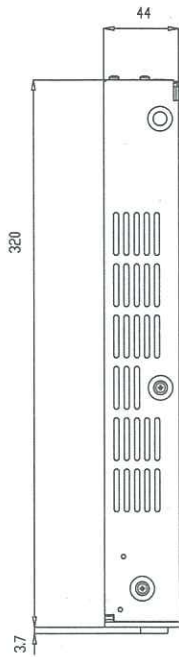


SS-1010R

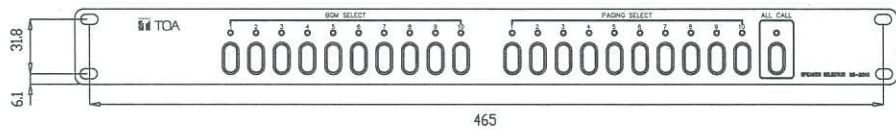
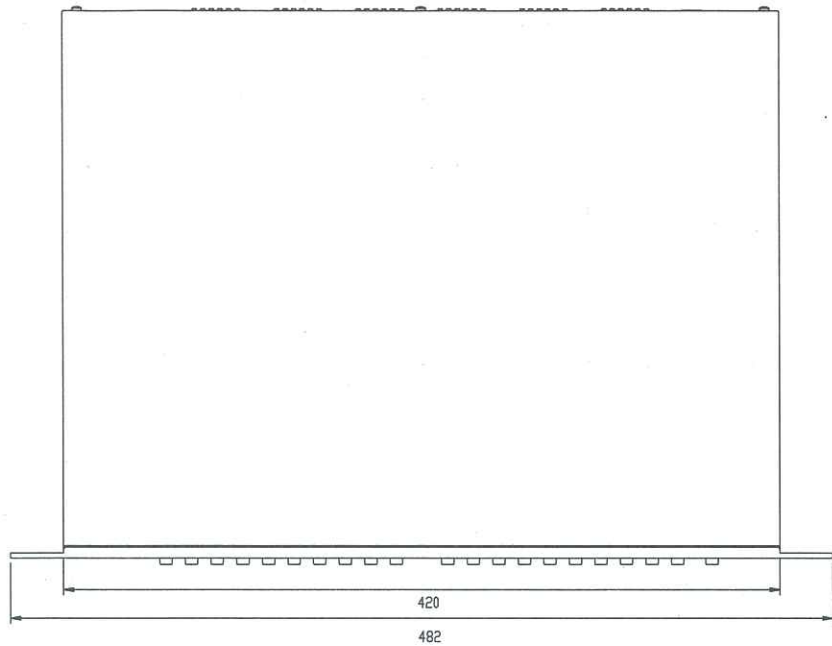




## 5. DIMENSIONS



units: mm



## 6. SPECIFICATIONS

Model		SS-2010 AS	SS-1010R AS	SS-1010 AS
Voltage Source		24 V DC		
Current Consumption		0.6A DC	0.4A DC	
Inputs		10 Inputs BGM	10 Inputs Paging / BGM	10 Inputs Zone
		10 Inputs Paging	1- Link	1 Input Emergency Override
Output		10 Outputs Speaker/Zone (3 wire R-H-C only for SS-1010R), each output max 480 W at 100V line		
Controls		10 BGM Selectors	10 BGM Selectors	10 Zone Selectors
		10 Paging Selectors		
		1 All Call/Zone Selector		
Rear		1-10 Paging/Zone, 1 All Call/Zone Controls In		
Indicators		10 BGM Selector LEDs		10 Zone Selector LEDs
		10 Paging Selector LEDs		
		1 All Call/Zone LED		
Operating Temperature		0°C to +40°C		
Dimension		482(W) x 44(H) x 320(D) mm		
Weight		3.2 kg		
End Finish		Front Panel		
		Aluminum Hair Line, Etching Black		
		Case		
		Steel Plate, Black		
Accessories		6P Connector (12 pcs), 2P Connector (1 pc)		

**Note:**

The Design and specifications are subject to change without notice for improvement.